

FRANZ JÄGER®

Franz Jäger Advanced Digital Lock
FIRE RESISTANT VALUE SAFES INSTRUCTION

Instructions for Products

Franz Jäger Brannsikre Verdiskap

Franz Jäger Kassaskåp

Franz Jäger Fire Resistant Value Safe

Installation of Franz Jäger safe

Before installing the safe make sure that the floor bearing capacity is sufficient. The safe must be placed on flat surface. Make sure that the door does not turn by itself in any position. Please note opening space requirement 120 degrees when the safe is equipped with pull-out internal fittings.

Floor anchoring holes and bolts as standard.

The Digital Lock

FEATURES

- CHANGING FROM FACTORY CODE TO USER CODE 1/ CHANGE USER CODE 1

(Factory set to 1-2-3-4-5-6)

- Add/Remove User
- Enable/Disable Use

USER COMBINATION

- Open Lock
- Change Combination

WRONG TRY PENALTY

- Four (4) consecutive invalid combinations initiates five (5) minute delay period.

LOW BATTERY WARNING

- Repeated LED flashing and beeping during opening indicates battery is low and needs immediate replacement.

AUDIO AND VISUAL SIGNAL

- Double signal - two (2) LED flashes and two (2) beeps - indicates entry is valid or accepted.
- Triple signal - three (3) LED flashes and three (3) beeps - indicates invalid or not accepted.

OPENING THE LOCK

1. Enter valid six (6) digit combination. The lock will signal a valid combination entry with a one signal. Invalid Combination Entry - Lock will signal three (3) times.
2. Within six (6) seconds, turn the handle to the open position.
3. Pull door open.

CHANGING FROM FACTORY CODE TO USER CODE 1/ CHANGE USER CODE 1

ALWAYS PERFORM THIS OPERATION WITH THE DOOR OPEN

1. Enter "zero" six times.
2. Enter the existing six (6) digit combination one times.
3. Enter your new six (6) digit combination two times.
4. If a mistake is made wait ten (10) seconds and repeat steps 1-3.
5. Test lock operation several times before closing the door.
 - Valid Combination - One signal after valid six (6) digit combination is entered.
 - Invalid Combination - Triple signal indicates the old combination is still valid.

CAUTION

When selecting a combination do not use birthday or other predictable data that could give correlation between the user and combination. Keep the combination secret.

ADD USER (only when needed)

ALWAYS PERFORM THIS OPERATION WITH THE DOOR OPEN

1. Enter User Code 1 and HOLD DOWN LAST DIGIT CODE until the lock signals with two sets of double beeps.
2. PRESS 1. Lock signals once.
3. Enter user code twice. The lock signals once after each valid entry.
4. If a mistake is made wait ten (10) seconds and repeat steps 1-3.

DISABLE USER

ALWAYS PERFORM THIS OPERATION WITH THE DOOR OPEN

1. Enter User Code 1 and hold down last digit of combination until the lock signals with two sets of double beeps.
2. Press 2. Lock signals once.
3. User is temporarily disabled. (User combination is saved and will be valid if reinstated.)
4. If a mistake is made wait ten (10) seconds and repeat steps 1-3.

ENABLE USER

ALWAYS PERFORM THIS OPERATION WITH THE DOOR OPEN

1. Enter the User Code 1 and hold down last digit of combination until the lock signal with two sets of double beeps.
2. Press 1. Lock signals once.
3. User is reinstated.
4. If a mistake is made wait ten (10) seconds and repeat steps 1-3.

DELETE USER

ALWAYS PERFORM THIS OPERATION WITH THE DOOR OPEN

1. Enter User Code 1 and hold down last digit of combination until the lock signals with two sets of double beeps.
2. Press 3. Lock signals once.
3. User and combination are removed from lock. (Add User feature is still available)
4. If a mistake is made wait ten (10) seconds and repeat steps 1-3.

WRONG TRY PENALTY

- Entry of four (4) consecutive invalid combination starts a five (5) minute delay period.
- LED flashes at three (3) second intervals.
- While the system is in penalty time, removal of the batteries will interrupt the penalty time countdown. Upon reinstallation of the batteries, the EntryPad continues to count down until the 5 minute penalty time period expires.

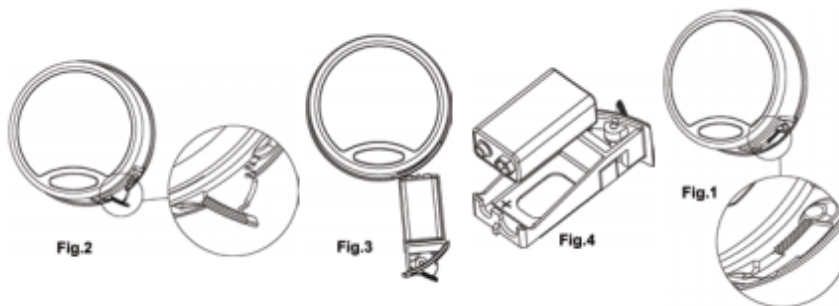
BATTERY LOW WARNING

- Repeated beeping (8 beeps) during an unlock operation indicates that the battery is low and needs immediate replacement.
- Manufacturer recommends the use of 9-Volt standard alkaline batteries (Duracell or Energizer brands are recommend) replaced annually.

BATTERY REPLACEMENT INSTRUCTION

One 9V alkaline battery is installed in the compartment in the bottom of the entrypad. To replace the battery, pull out the battery compartment first. Follow these steps:

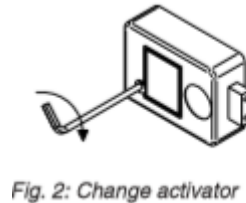
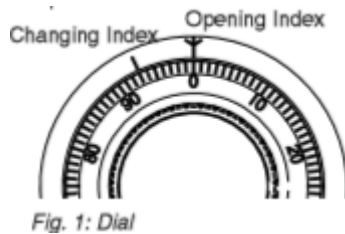
- Release the latch of the battery compartment, by pulling lever downward, See Fig. 2
- Pull out the battery compartment from the bottom of the Entrypad, See Fig. 3
- Take out the battery and replace with a new 9V alkaline battery (Duracell and Energizer Brands are recommended), See Fig. 4
- Put the battery compartment back into the entrypad. Push up the latch of the battery compartment until it snaps closed. Fig. 1



Mechanical lock

Change the combination - using the Changing Index:

To change the combination, you must first open the safe door and lock the lock (bolt fully extended) in open position. Dial the existing combination using the **Changing Index**, e.g. 50-25-50 (if another code is chosen, dial the corresponding numbers).



Insert the change activator with the long side into the activator hole at the inner door. Turn the change activator approx. 90° to the RIGHT until it stops.

If the change label (see Fig. 3) is used, the positions of the change activator are easy to recognize. If the change activator cannot be turned, a mistake was made in entering the code on the Changing Index. Remove the change activator and redial the existing combination using the Changing Index. Do not apply any force!

After turning the change activator until it stops, a new combination can be set. The numbers of the new combination should be at least 4 increments apart from each other. Your new code should be between 20 and 90!

If your new code should be 20-45-80, the example would be:

4 x Turn the dial LEFT passing the first number in the combination "25" three times. Then stop exactly on the number "25" the fourth time (stop at the **Changing index!**).

3 x Turn the dial RIGHT passing the next number in the combination "45" twice. Then stop exactly on the number "45" the third time (stop at the **Changing index!**).

2 x Turn the dial LEFT passing the last number in the combination "80" one time. Then stop exactly on the number "80" the second time (stop at the **Changing index!**).

If you dial past the number where you were supposed to stop, you cannot reverse the dial to correct. The opening procedure must be repeated from the beginning.

After the code has been set, turn the change activator approx. 90° to the LEFT until it stops and remove the change activator. The new combination has been set. To test, dial the new combination using the **Opening Index**. Always perform this test with the safe door open! Test several times before closing the safe door.

Anchoring of the SAFE

Floor anchoring bolts should be fixed into concrete floor (corresponding anchoring equipment can be used for other floor materials). User of the safe is responsible for the proper anchoring of the safe.

- Install the safe in a place where you can drill 1 or 2 holes
- Check that the drilling spots are safe. Drill 55 mm deep holes into the floor through the bottom holes of the safe. Use an effective impact drilling machine with 15 mm diameter bit
- Use e.g. vacuum cleaner to clean the holes
- Fix the anchors into the holes without bolts. Hit the anchors as deep as possible by hammer and diam. 8-10mm bar
- Screw the bolts as tight as possible
- Fix the plastic cover plugs back.
- If the standard anchoring material not suitable for your ground (e.g. wooden floor), you can use also an equivalent anchoring material suitable for your ground. Diameter, strength class and dimension shall be the same as the supplied anchoring material.
- If your safe are not to be anchored, the anchoring holes should be filled with a fire resistant mass.