



FRANZ JÄGER®

Instructions

Advanced Digital Lock

Mechanical Lock

Instructions for Products

Franz Jäger Value Safe EN1143

Franz Jäger Security Safe

Franz Jäger Fire Resistant Value Safe

Valid for products manufactured after 04/2023

FIND THE RIGHT PAGE!

Page 3	Operating the digital lock
Page 5	Changing battery
Page 6	Operating the mechanical lock
Page 7	Changing combination on the mechanical lock
Page 8	Anchoring your Franz Jäger

Operating your Franz Jäger with digital lock

FACTORY CODE

Factory code is set to 1-2-3-4-5-6

OPENING THE LOCK

1. Enter valid 6 digit combination- Lock will signal 2 times.
Wrong combination entry - Lock will signal 3 times.
2. Within 6 seconds, turn the handle to the open position.
3. Pull door open.

CHANGING THE FACTORY CODE, TO USER CODE 1/ CHANGE USER CODE 1

ALWAYS PERFORM THIS OPERATION WITH THE DOOR OPEN

1. Enter 0-0-0-0-0-0
 2. Enter the existing 6 digit combination 1 time
 3. Enter your new 6 digit combination 2 times
 4. New code OK – Lock will signal 2 times
 5. If a mistake is made wait 10 seconds and repeat steps 1-3
 6. Test lock operation several times before closing the door
- Valid Combination - 2 signal after valid six (6) digit combination is entered.
 - Invalid Combination - 3 signal indicates the old combination is still valid.

ADD USER (only if needed)

ALWAYS PERFORM THIS OPERATION WITH THE DOOR OPEN

1. Enter User Code 1 and HOLD DOWN LAST DIGIT CODE until the lock signals with 2 sets of double beeps.
2. PRESS 1. Lock signals once.
3. Enter user code twice. The lock signals once after each valid entry.
4. If a mistake is made wait 10 seconds and repeat steps 1-3.

DISABLE USER

ALWAYS PERFORM THIS OPERATION WITH THE DOOR OPEN

1. Enter User Code 1 and hold down last digit of combination until the lock signals with 2 sets of double beeps.
2. Press 2. Lock signals once.
3. User is temporarily disabled. (User combination is saved and will be valid if reinstated.)
4. If a mistake is made wait 10 seconds and repeat steps 1-3.

ENABLE USER

ALWAYS PERFORM THIS OPERATION WITH THE DOOR OPEN

1. Enter the User Code 1 and hold down last digit of combination until the lock signal with 2 sets of double beeps.
2. Press 1. Lock signals once.
3. User is reinstated.
4. If a mistake is made wait 10 seconds and repeat steps 1-3.

DELETE USER

ALWAYS PERFORM THIS OPERATION WITH THE DOOR OPEN

1. Enter User Code 1 and hold down last digit of combination until the lock signals with 2 sets of double beeps.
2. Press 3. Lock signals once.
3. User and combination are removed from lock. (Add User feature is still available)
4. If a mistake is made wait 10 seconds and repeat steps 1-3.

AUDIO AND VISUAL SIGNAL

- Double signal - 2 LED flashes and 2 beeps - indicates entry is valid or accepted.
- Triple signal - 3 LED flashes and 3 beeps - indicates invalid or not accepted.

WRONG TRY PENALTY

- Entry of 4 consecutive invalid combination starts a 5 minute delay period.
- LED flashes at 3 second intervals.
- While the system is in penalty time, removal of the batteries will interrupt the penalty time countdown. Upon reinstallation of the batteries, the EntryPad continues to count down until the 5 minute penalty time period expires.

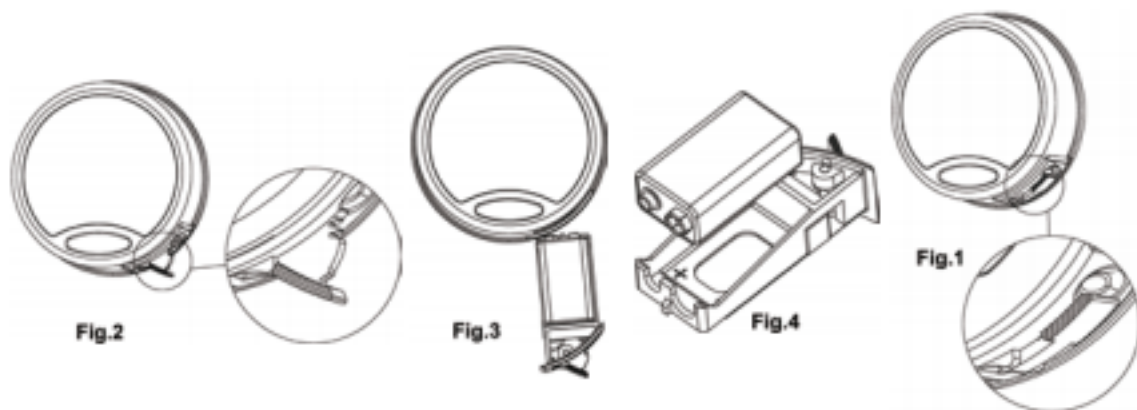
BATTERY LOW WARNING

- Repeated beeping (8 beeps) during an unlock operation indicates that the battery is low and needs immediate replacement.
- Manufacturer recommends the use of 9-Volt standard alkaline batteries (Duracell or Energizer brands are recommended) replaced annually.

BATTERY REPLACEMENT INSTRUCTION

One 9V alkaline battery is installed in the compartment in the bottom of the entrypad. To replace the battery, pull out the battery compartment first. Follow these steps:

- Release the latch of the battery compartment, by pulling lever downward, See Fig. 2
- Pull out the battery compartment from the bottom of the EntryPad, See Fig. 3
- Take out the battery and replace with a new 9V alkaline battery (Duracell and Energizer Brands are recommended), See Fig. 4
- Put the battery compartment back into the entrypad. Push up the latch of the battery compartment until it snaps closed. Fig. 1



Operating your Franz Jäger with mechanical lock

OPEN FRANZ JÄGER – USING THE OPENING INDEX (12 o'clock mark)

If your Franz Jäger was not delivered with your pre-installed personal code, then open with factory code **50** (security safes) or **50-25-50** (Fire Resistant Value Safe)

Opening procedure (if code is 50-25-50):

(You count rounds every time you pass the number you are supposed to stop at)

1. Start where you want, turn the mechanical code wheel to the left, stop the 5th time at **50**
2. Turn the mechanical code wheel to the right, stop the 3rd time at **25**
3. Turn the mechanical code wheel to the left, stop the 2nd time at **50**
4. Turn the mechanical code wheel to the right until it stops
5. You can now turn the Franz Jäger door handle to open the door
6. To lock, turn the Franz Jäger door to close, then turn the mechanical code wheel to the left
7. Franz Jäger is now closed

If your factory code is **50**, skip steps 2 and 3.

CHANGE THE CODE COMBINATION – USING THE CHANGING INDEX (11 o'clock mark):

To change the combination, you must first open the safe door and lock the lock (bolts fully extended) in open door position. Dial the existing combination using the **Changing Index**, e.g. 50-25-50 (if another code is chosen, dial the corresponding numbers).

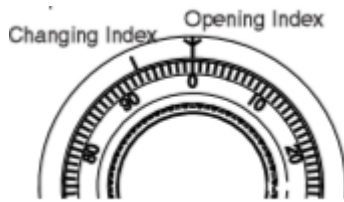


Fig. 1: Dial

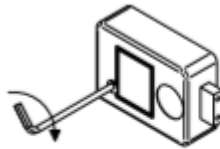


Fig. 2: Change activator



Fig. 3: Change label

Insert the change activator key with the long side into the activator hole at the inner door. Turn the change activator approx. 90° to the RIGHT until it stops.

If the change label (see Fig. 3) is used, the positions of the change activator are easy to recognize. If the change activator cannot be turned, a mistake was made in entering the code on the Changing Index. Remove the change activator key and redial the existing combination using the Changing Index. Do not apply any force!

After turning the change activator key until it stops, a new combination can be set. The numbers of the new combination should be at least 4 increments apart from each other. Your new code must exist of numbers between 20 and 90 (ex 20-45-80)!

If you dial past the number where you were supposed to stop, you cannot reverse the dial to correct. The opening procedure must be repeated from the beginning (point 1).

If your new code should be 20-45-80, the example would be:

(You count rounds every time you pass the number you are supposed to stop at)

1. Start where you want, turn the mechanical code wheel to the left, stop the 5th time at **20**
(Stop at the **Changing index!**).
2. Turn the mechanical code wheel to the right, stop the 3rd time at **45**
(Stop at the **Changing index!**).
3. Turn the mechanical code wheel to the left, stop the 2nd time at **80**
(Stop at the **Changing index!**).
4. The new code has now been set, turn the change activator approx. 90° to the LEFT until it stops and remove the change activator.

To test, dial the new combination using the **Opening Index**. Always perform this test with the safe door open! Test several times before closing the safe door.

Anchoring

LOCATION

The cabinet must be positioned so that the anchoring bolts hit solid building material, such as studs, concrete or masonry.

INSTALLATION

(Some anchoring kits have their own manual, in which case this should be used)

1. Place the cabinet where there are possibilities for bolting with the prerequisites as described above
2. Mark through the bolt holes that are to be used. The respective cabinets can have bolt holes to the back wall, floor or both
3. Remove the cabinet
4. Drill holes that correspond with bolt and plug length
5. Place plugs in the holes and tap them into the holes with a hammer
6. Place the cabinet back in place
7. Place the anchor bolts in the bolt holes and tighten with a screwdriver so that the bolts are firmly anchored.

Enjoy your new Franz Jäger!